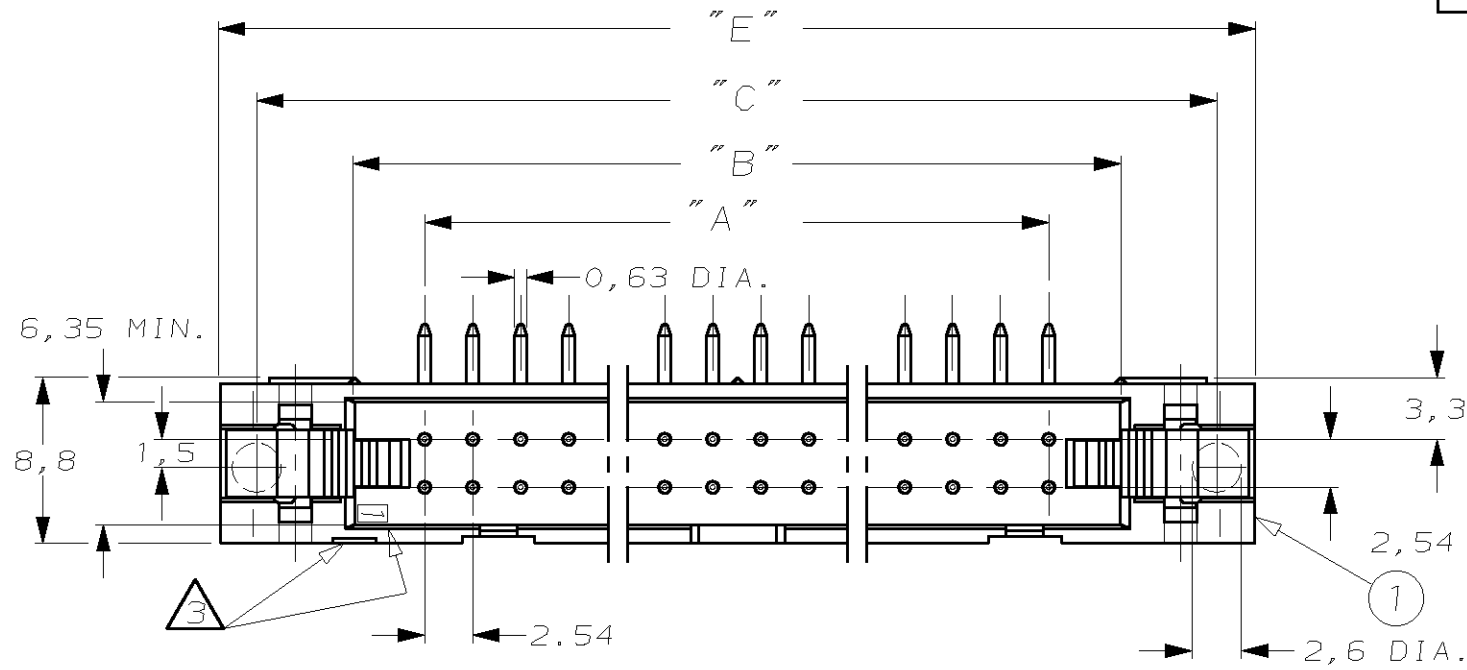


DO NOT SCALE
DIMENSIONS IN mm

METRIC

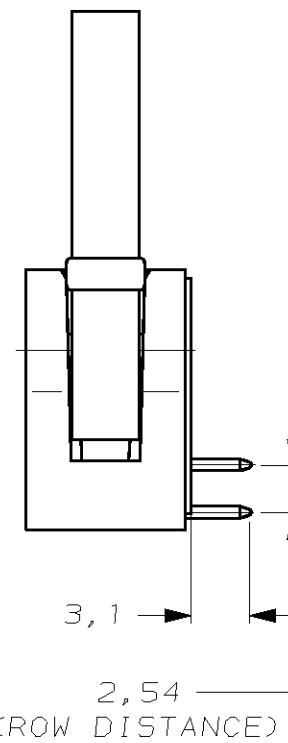
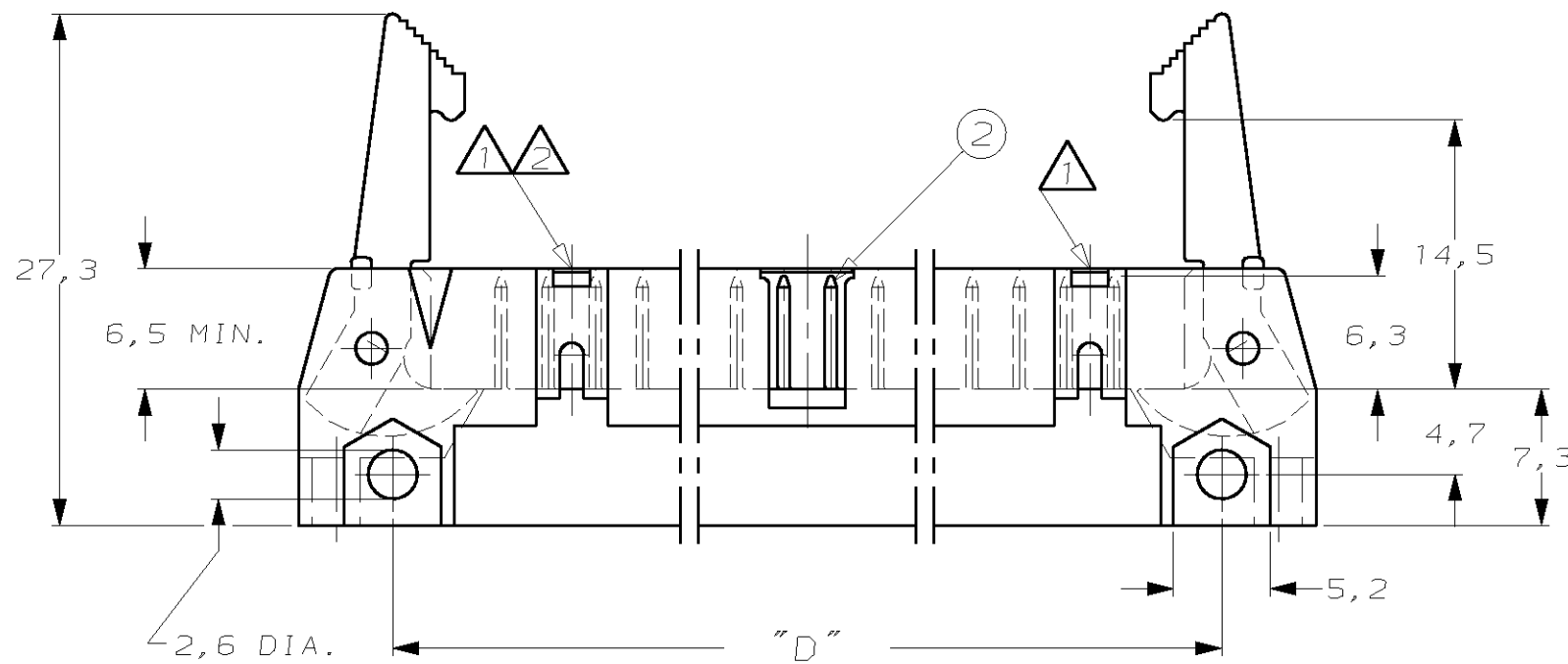
THIRD ANGLE
PROJECTION

| LTR. | REVISION RECORD | DR. | CHK. | DATE |
|------|---|------|-------|-----------|
| A1 | PLATING DURAGOLD OR GOLD ALTERNATIVELY USABLE | MAH. | STRE. | 13-JUN-03 |
| - | - | - | - | - |
| - | - | - | - | - |
| - | - | - | - | - |

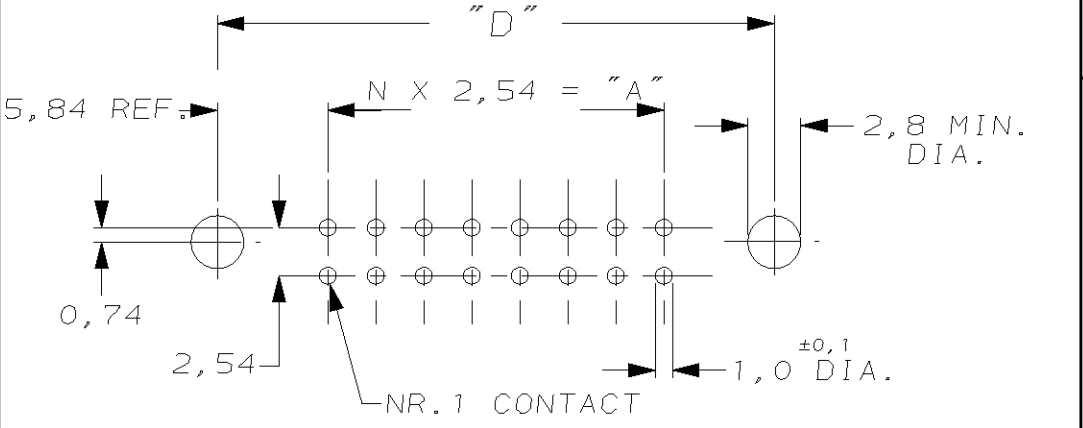


NOTES

- ① SNAP-IN POLARIZERS PN. 927636-2 OR 927637-2 CAN BE APPLIED.
- ② THERE IS NO WINDOW FOR SNAP-IN POLARIZERS AT THIS END IN 10 AND 14 POS. HEADERS.
- ③ INDICATION OF FIRST POSITION.



RECOMMENDED PCB-HOLE PATTERN



| | | |
|---------------|-----------------------|---|
| ② PIN-CONTACT | BRASS | MATING SIDE: 1,2µm AU OR 1,2µm AMP DURAGOLD® / OVER 1,27µm NI |
| ① HOUSING | GLASSFILLED POLYESTER | SOLDER SIDE: MIN. 3,0µm SN OVER 1,27µm NI |
| FINISH | MATERIAL | PARTNUMBER |

| | | | | | | |
|-------------------------------|----------|----------|----------|----------|------------------|------------|
| 100,6 | 90,4 | 96,5 | 86,4 | 78,7 | 64 | 6-216799-4 |
| 95,5 | 85,3 | 91,4 | 81,3 | 73,7 | 60 | 6-216799-0 |
| 82,8 | 72,6 | 78,7 | 68,6 | 61,0 | 50 | 5-216799-0 |
| 70,1 | 59,9 | 66,0 | 55,9 | 48,3 | 40 | 4-216799-0 |
| 62,5 | 52,3 | 58,4 | 48,3 | 40,6 | 34 | 3-216799-4 |
| 52,3 | 42,2 | 48,3 | 38,1 | 30,5 | 26 | 2-216799-6 |
| 44,7 | 34,5 | 40,6 | 30,5 | 22,9 | 20 | 2-216799-0 |
| 39,6 | 29,5 | 35,6 | 25,4 | 17,8 | 16 | 1-216799-6 |
| 37,1 | 26,9 | 33,0 | 22,9 | 15,2 | 14 | 1-216799-4 |
| 32,0 | 21,8 | 27,9 | 17,8 | 10,2 | 10 | 1-216799-0 |
| DIM. "E" | DIM. "D" | DIM. "C" | DIM. "B" | DIM. "A" | NR. OF POSITIONS | PARTNUMBER |
| VARIABLE CONNECTOR DIMENSIONS | | | | | | |

CUSTOMER DRAWING
FOR REFERENCE ONLY
WILL NOT BE UPDATED

| | |
|----------------------|------------------|
| DR. R HOGEVEEN | DATE 08-11-89 |
| CHK. R VERSTIJNEN | DATE |
| APP. L.v. SOEST | DATE |

AMP | AMP-HOLLAND B.V.
's-Hertogenbosch, The Netherlands.
THIS DRAWING IS UNPUBLISHED | RELEASED FOR PUBLICATION - , 19-
© COPYRIGHT 19- BY AMP-HOLLAND B.V.
ALL INTERNATIONAL RIGHTS RESERVED.
AMP PRODUCTS MAY BE COVERED BY U.S. AND FOREIGN PATENTS AND/OR PATENTS PENDING.

| | | |
|--------------|-------------------------------|-----------------|
| WIRE RANGE | NAME | REV. DATE |
| - | AMP-LATCH HEADERS 90° VERSION | D M Y |
| INSUL. RANGE | WITH LATCHES. | 08 11 89 |
| SIZE A3 | SHEET 1 OF 1 | REV. LTR. A1 |
| DWG. No. | C-216799 | |

8 | 7 | 6 | 5 | 4 | 3 | 2 | 1